

Battery Backup Unit (BBU) For Series 70 Actuators 800 to 5,000 lb.-in.

Application

The Battery Backup Unit (BBU) option for the Bray Series 70 24 VAC/30 VDC actuators provides a convenient and cost effective solution to provide return of the valve or damper to a user-selectable position upon loss of supply power. The BBU is available for both On/Off and Modulating actuators.

The advanced circuitry of the BBU provides battery and power fail LED indication. The BBU is housed in sturdy die cast aluminum NEMA 4x (IP 65) enclosure and is factory mounted and factory wired to the Bray Series 70 24 VAC/30 VDC actuator.



Features and Benefits

- Factory installed and wired**

Reduces field installation costs by 25-50%

- Battery & Power Fail LED Indication**

Provides visual and electronic indication of battery state

- Field selectable Normally Open Or Normally Closed Fail Position**

Application Flexibility

- Nema 4x (IP 65) Enclosure**

Suitable for outdoor use, subject to ambient temperature limits

Battery Backup Unit - Model Number Selection Chart

Model Number	Torque in.lbs.	On/Off	Modulating	Heater	AUX. Switches	Battery Backup Unit
70-24-0081H-BBU	800	●		●	●	●
70-24-0081SVH-BBU	800		●	●	●	●
70-24-0201H-BBU	2000	●		●	●	●
70-24-0201SVH-BBU	2000		●	●	●	●
70-24-0501H-BBU	5000	●		●	●	●
70-24-0501SVH-BBU	5000		●	●	●	●

Note: Heaters are optional

To receive units without a heater, remove the "H" from the part number. (Ex.: 70-0501, 70-24-0501-BBU)

Application Note:

Use Series 70 actuators only to control equipment under normal operating conditions. Where failure or malfunction of the electric actuator could lead to personal injury or property damage to the controlled equipment or other property, additional precautions must be designed into the control system. Incorporate and maintain other devices, such as supervisory or alarm systems or safety or limit controls, intended to warn of or protect against failure or malfunction of the electric actuator.

Battery Backup Unit - Specifications

Technical Specifications		
Power Requirements	24-27 VAC or 30-38 VDC (the minimum voltage is required to provide proper battery charging). Use dedicated Class 2 non-bonded transformer rated 100VA per BBU	
VA Requirements (Actuator w/ BBU)	All Models w/BBU	100 VA Each BBU must be wired separately to a dedicated non-bonded transformer.
Contact Ratings	Battery Strength Alarm	2 A
	All Other Contacts	See Bray Series 70 Technical Brochure
Temperature Limits	Operating	-4 to 122° F (-20 to 50° C)
	Battery Charging	-4 to 122° F (-20 to 50° C)
	Storage	-20 to 140° F (-29 to 60° C) ¹
Batteries (2)	Type	SLA (Sealed Lead Acid) Power Sonic PS1212 or Equal
	Life	4 years, depended on ambient temperature
	Charging ^{2, 3}	Continuous
	Discharging	4.2A (Only upon loss of input power)
Housing	Die Cast Aluminum, Polyester Finish, Nema 4X (IP 65)	
Wiring	Conduit Entries (2)	3/4" NPT
	Terminal Block	14 to 24 AWG. See Application Note 2.
Warranty	3 Years limited from time of shipment.	

¹ Leaving the battery in an unpowered state for long periods at ambient temperatures greater than 140° F will result in excessive battery drain.

² BBU batteries will NOT charge with a 24 VDC power supply. 30 VDC minimum required to charge batteries.

³ 24 VAC/30 VDC minimum voltage required to charge batteries.

Disclaimer:

The performance specifications are nominal and conform to acceptable industry standards. For application at conditions beyond these specifications, consult the local Bray office. Bray, Inc. shall not be liable for damages resulting from misapplication or misuse of its products.

Operation:

In the normal mode of operation with power supplied to the actuator, the batteries maintain a charge and are in an offline mode. The power applied to the motor is from the power supply, not the batteries. When a power loss occurs, the BBU pauses for 5 seconds and then reads the "Open/Close" fail position switch setting. The BBU circuitry applies the stored power in the batteries to move the valve or damper to the full open or full closed position designated by the user. The actuator remains in this position until external power is restored to the unit.

For two position (On/Off units), and modulating units, the BBU board automatically detects when the actuator has reached the desired position and then disconnects the battery power from the motor.

Application Note:

1. Use Battery Backup Unit (BBU) only to control equipment under normal operating conditions. Where failure or malfunction of the electric actuator could lead to personal injury or property damage to the controlled equipment or other property, additional precautions must be designed into the control system. Incorporate and maintain other devices such as supervisory or alarm systems or safety or limit controls, intended to warn of or protect against failure or malfunction of the electric actuator.

2. Size wires per NEC guidelines with respect to distance and current draw. See wiring length vs. gauge table from BBU IOM page 4.

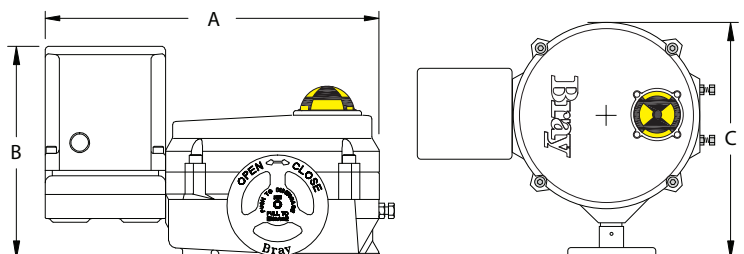
Battery Backup Unit - Dimensions

Actuator/BBU	A	B	C
70-24-0081-BBU	12.0	7.4	9.4
70-24-0201-BBU	14.5	7.9	12.9
70-24-0501-BBU	16.6	8.4	13.1

All dimensions in inches.

Allow 5.0" for cover removal.

Conduit Entries (2) 3/4" NPT



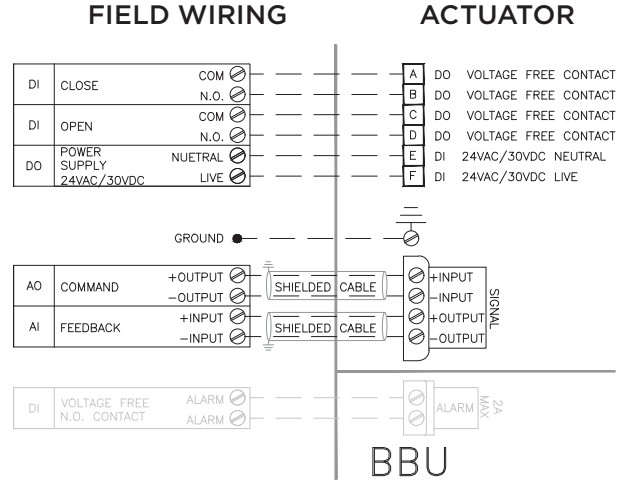
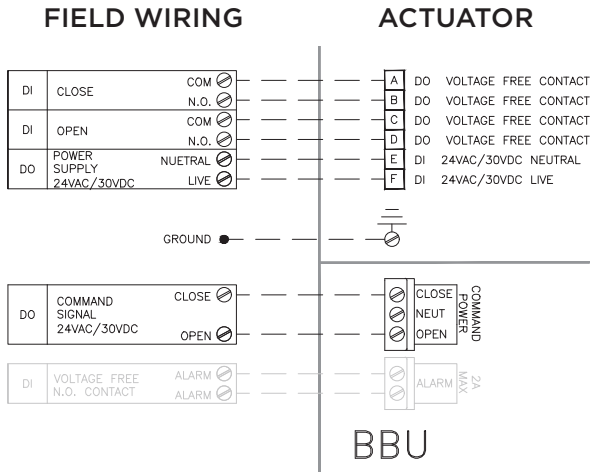
Battery Backup Unit - Wiring

24VAC/VDC ON/OFF NXT WITH BBU

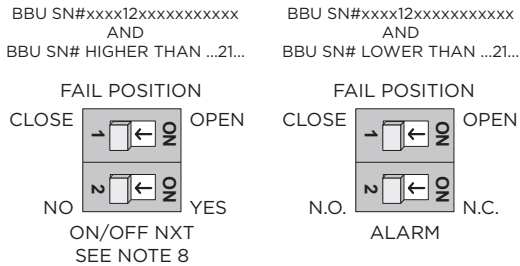
REFERENCE WIRING DIAGRAMS: BCD-WD-A034

24VAC/VDC SERVO NXT WITH BBU

REFERENCE WIRING DIAGRAM: BCD-WD-A035



BBU DIP SWITCH DETAIL



LED CHART	
BATTERY BACKUP UNIT LED FLASH CODES	
SLOW GREEN FLASH	BATTERIES CHARGING
STEADY GREEN LIGHT	BATTERIES CHARGED
RAPID RED FLASH	POWER FAIL & VALVE MOVING
SLOW RED FLASH	POWER FAIL & VALVE FINISHED MOVING

CALIBRATION SEQUENCE:

PLEASE VISIT THE S70 INDUSTRIAL ELECTRIC ACTUATOR SECTION OF OUR WEBSITE AND REFER TO THE QUICK START GUIDE AND VIDEO TUTORIAL LINK IN THE DOCUMENTS SECTION.

TERMINAL STRIP:

14-24 AWG FOR CONTROLLER & BBU, MAX TIGHTENING TORQUE 3.5 IN-LBS
 14-22 AWG FOR OTHER, MAX TIGHTENING TORQUE 8 IN-LBS
 105 °C, 300VAC/DC MIN RATED WIRE

FUSE:

FAST BLOW 250V 5A
 5X20MM

LIMIT SWITCH:

125/250VAC, 10A, 1/2 HP
 125/250VDC, 0.25A INDUCTIVE
 125/250VDC, 0.5A RESISTIVE

NOTES:

- ACTUATOR SHOWN IN CLOSED POSITION.
- MANUAL OVERRIDE NOT ENGAGED.
- HEATER OPTIONAL.
- SWITCHES ARE SPDT (FORM C).
- LOSE OF POWER SUPPLY FAIL POSITION IS DETERMINED BY BBU DIP SWITCH #1.
 FAIL CLOSE: MOVE TOP DIP SWITCH ON BATTERY BACKUP UNIT TO LEFT (CLOSE) POSITION.
 FAIL OPEN: MOVE TOP DIP SWITCH ON BATTERY BACKUP UNIT TO RIGHT (OPEN) POSITION.
- LOSE OF COMMAND SIGNAL FAIL POSITION IS SET WITH THE NXT DISPLAY.
- OMITTED IN SIZE 6 ACTUATORS.
- FOR BBU SN#xxxx21xxxxxxxxxxx AND SN# HIGHER THAN ...21...
 BBU DIP SWITCH (DS) #2 IS DEPENDENT ON THE ACTUATOR'S CONTROLLER MODEL.
 DS#2 ON = CONNECTED TO:
 NXT ON/OFF CONTROLLER
 DS#2 OFF = CONNECTED TO:
 NXT SERVO PRO
 ON/OFF CONTROLLER
 PRO SERVO
- WHEN USING 0-10VDC, 0-5VDC & 2-10VDC, THE COMMON OF THE COMMAND SIGNAL SHOULD NOT BE GROUND/EARTH REFERENCED.
- COMMAND SIGNAL AND FEEDBACK SIGNAL MUST BE ISOLATED FROM EACH OTHER AND ANY OTHER CIRCUITS.
- COMMAND SIGNAL & FEEDBACK SIGNAL WIRES SHOULD BE SHIELDED PROPERLY & SHIELD SHOULD BE GROUNDED/EARTHED ON ONE END ONLY, PREFERABLY THE CONTROLLER END.
- FEEDBACK LOOP IS POWERED BY THE SERVO, DO NOT SUPPLY EXTERNAL POWER.
- FEEDBACK LOAD DEVICE NOT TO EXCEED 400 OHMS (4-20mA CONFIGURATION)
- DO NOT INSTALL OR USE THE SERIES 70 ELECTRIC ACTUATOR IN OR NEAR ENVIRONMENTS WHERE CORROSIVE SUBSTANCES OR VAPORS COULD BE PRESENT. EXPOSURE OF THE ELECTRIC ACTUATOR TO CORROSIVE ENVIRONMENTS MAY DAMAGE THE INTERNAL COMPONENTS OF THE DEVICE, AND WILL VOID THE WARRANTY.

LEGEND:

